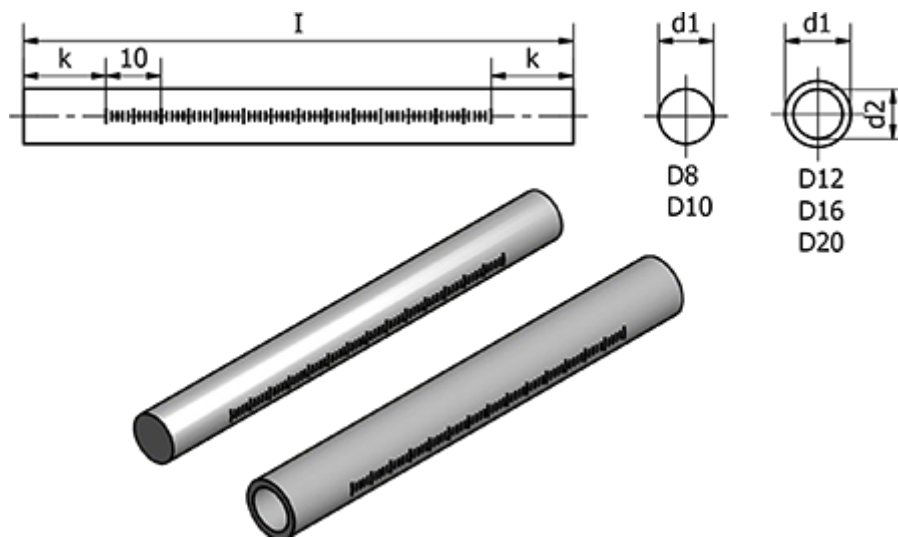


Article number: 204801D16200NILS

Description: E+G Retaining tube with scales - GN 480.1-D16-200-NI-LS

Measures



d1	= 16
d2	= 13
l	= 200
k	= 20
Weight (g)	= 137